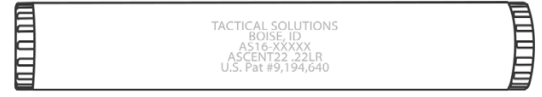




AERIS™ AXIOM™ & ASCENT22™



AERIS™ AXIOM™ & ASCENT22™ PREMIUM RIMFIRE SUPPRESSORS

MANDATORY USE OF FACTORY MANUAL WARNING READ THE INSTRUCTIONS AND WARNINGS BEFORE USING THIS PRODUCT

This manual in no way replaces or supersedes information or instructions from your gun manufacturer. In the event of a difference or conflict between your manufacturer's information and information contained herein, the official manufacture's instructions shall always take precedence.

- **LOADED WEAPON WARNING**
- **ALWAYS MAKE SURE YOUR GUN IS UNLOADED BEFORE ANY WORK IS STARTED.**
- **NEVER CLEAN, LUBRICATE, DISASSEMBLE, REASSEMBLE OR WORK ON ANY FIREARM WHILE IT IS LOADED.**
- **KEEP ALL AMUNITION AWAY FROM THE WORK AREA.**
- **MUZZLE SAFETY WARNING:**
- **KEEP THE PISTOL MUZZLE POINTED IN A SAFE DIRECTION AT ALL TIMES WHILE WORKING ON YOUR FIREARM.**

USE OF SUPPRESSOR:

The suppressor is designed to perform best with .22LR subsonic ammunition and to be used "dry" without any fluids added to the suppressor. The addition of any fluids to the suppressor prior to firing the suppressor may damage the suppressor.

INSTALLATION OF SUPPRESSOR:

Unload firearm; visually and physically check that the chamber is empty and magazine is removed. Make sure that the threads on the barrel and the thread adaptor of the suppressor are clean. The suppressor is designed to fit on 1/2" x 28 threads with a maximum length of 0.500". Screw the suppressor onto the barrel making sure not to cross thread the suppressor on to the barrel. If the suppressor does not smoothly thread onto the barrel, stop and remove the suppressor and make sure the threads are clean and that the suppressor is aligned properly before screwing back on the barrel.

Make sure the suppressor is screwed onto the barrel snugly by hand and check periodically to make sure the suppressor is attached tightly when shooting. Caution: the suppressor will be hot after using and can burn the user if proper caution is not used.

CLEANING OF SUPPRESSOR

Tactical Solutions recommends frequent cleaning of your suppressor. We recommend cleaning your suppressor every 500 rounds for best performance and ease of disassembly.

Caution: Use protective eyewear and solvent resistant gloves when cleaning your suppressor. Only use cleaning solvents in well ventilated areas and avoid breathing vapors. Dispose of all chemicals in an environmentally safe manner.

We recommend using mineral spirits to soak the disassembled suppressor for 12-24 hours at a time. Once the disassembled suppressor has soaked, we then recommend scrubbing the parts with a nylon brush to remove any remaining carbon. Use a cloth to wipe any residual mineral spirits or debris from the suppressor before assembling. Wipe any excess off of the exterior of the suppressor with a clean cloth. Make sure to clean any residue off of the barrel and suppressor threads before attaching the suppressor to a firearm.

THE AERIS™ SUPPRESSOR

The AERIS is a compact, lightweight and rugged suppressor designed for performance in a minimal sized package. Machined from titanium and stainless steel, the AERIS is incredibly durable for its' size and weight. The AERIS suppressor is rated for the following calibers: .22 Long Rifle, .17HMR, .17HM2, .17WSM, .22WMR.

THE AXIOM™ SUPPRESSOR

The AXIOM Suppressor is designed for both pistols and rifles and is rated for the following calibers: .22 Long Rifle, .17HMR, .17WSM, .22WMR, .22 Hornet, 5.7X28. The AXIOM is manufactured out of the highest quality stainless steel and titanium for ultimate strength and performance.

THE ASCENT22™ SUPPRESSOR

The ASCENT22 Suppressor is designed for both pistols and rifles and is rated for the following calibers: .22 Long Rifle, .17HMR, .17HM2, .17WSM, .22WMR. The ASCENT22 is manufactured out of the highest quality stainless steel, aluminum and titanium.

DISASSEMBLY OF SUPPRESSOR

- Slide the suppressor wrench over the end cap aligning the notches on the wrench with the corresponding grooves in the end cap. While holding the suppressor body firmly in one hand turn the suppressor wrench counter clockwise to unscrew the end cap. (See Schematic Below)

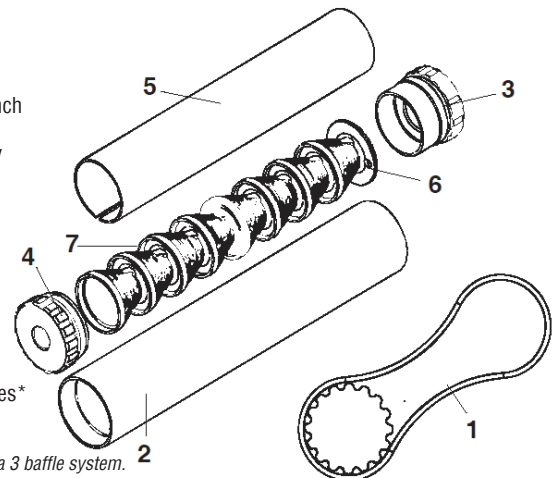
- Once the end cap is unscrewed the suppressor can be turned so the open end is down the baffles and shield slide out. If an excess of carbon has built up within the suppressor and the baffles/shield will not slide out of the suppressor, the thread adapter will need to be removed as well so that the baffles/shield can be pushed out of the suppressor body. To remove the thread adapter, slide the suppressor wrench over the thread adapter aligning the notches on the wrench with the corresponding grooves in the thread adapter. While holding the suppressor body firmly in one hand, turn the suppressor wrench counter clockwise to unscrew the thread adapter.

- Once the shield and baffles have been removed from the suppressor body the blast baffle can be pulled from the shield and the remaining baffles should be able to be pushed out of the shield. If the baffles can not be easily pushed from the shield we recommend soaking the shield and baffles in mineral spirits to help break loose any carbon holding the baffles inside of the shield. (See Schematic Below)

- You are now ready to clean your suppressor.

SCHEMATIC:

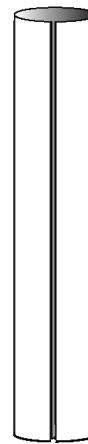
1. Suppressor wrench
2. Suppressor body
3. Thread adapter
4. End cap
5. Shield
6. Blast baffle
7. Suppressor baffles*



* AERIS Suppressor has a 3 baffle system.

ASSEMBLY OF SUPPRESSOR:

- Screw the thread adapter into the suppressor body. Slide the suppressor wrench over the thread adapter, aligning the notches on the wrench with the corresponding grooves in the thread adaptor. While holding the suppressor body firmly in one hand turn the suppressor wrench clockwise to screw in the thread adaptor. Firmly tighten the thread adaptor to suppressor body.
- Place blast baffle into the shield with the gas port facing opposite to the slot in the shield. (*at Right*)
- While holding the blast baffle in place turn the shield upright so that the blast baffle is on the bottom end and place all remaining baffles into the shield with the flat side down. (*at Right*)
- Align all eight baffles [the AERIS suppressor has a 3 baffle system] so that the gas ports are aligned with one another and facing opposite from the slot in the shield. (*at Right*)
- Slide the shield and baffles into the suppressor body with the blast baffle towards the thread adaptor and then turn the body so that the open end is facing up.
- Screw the end cap into the suppressor body. Slide the suppressor wrench over the end cap aligning the notches on the wrench with the corresponding grooves in the end cap. While holding the suppressor body firmly in one hand turn the suppressor wrench clockwise to screw in the end cap. Firmly tighten the end cap to the suppressor body.
- Your suppressor is now ready for use.



Shield



Baffle alignment

STATE BY STATE FIREARM WARNINGS

CALIFORNIA: "Children are attracted to and can operate firearms that can cause severe injuries or death. Prevent child access by always keeping guns locked away and unloaded when not in use. If you keep a loaded firearm where a child obtains and improperly uses it, you can be fined and sent to prison!" **ADVERTENCIA** "A los niños los atraen las armas de fuego y las pueden hacer funcionar. Ellos pueden causarse lesiones graves y la muerte. Evite que los niños tengan acceso a las armas de fuego guardándolas siempre con no las esté utilizando. Si usted tiene un arma de fuego cargada en un lugar en que un niño tiene acceso a ella y la usa indebidamente, le pueden dar una multa o enviarse a la cárcel." **CONNECTICUT:** "Unlawful storage of a loaded firearm may result in imprisonment or fine." **FLORIDA:** It is unlawful, and punishable by imprisonment and fine, for any adult to store or leave a firearm in any place within the reach or easy access of a minor under 18 years of age or to knowingly sell or otherwise transfer ownership or possession of a firearm to a minor or a person of unsound mind." **MAINE:** Endangering the welfare of a child is a crime. If you leave a firearm and ammunition within easy access of a child, you may be subject to a fine, imprisonment or both. Keep firearms and ammunition locked up. Use trigger locks!" **MARYLAND:** "WARNING: Children can operate firearms which can cause death or serious injury. It is a CRIME to store or leave a loaded firearm in any location where an individual knew or should have known that an unsupervised minor would gain access to the firearm. Store your firearms responsibly!" **MASSACHUSETTS:** "WARNING FROM THE MASSACHUSETTS ATTORNEY GENERAL: This Handgun is not equipped with a device that fully blocks use by unauthorized users. More than 200,000 firearms like this one are stolen from their owners every year in the United States. In addition, there are more than a thousand suicides each year by younger children and teenagers who get access to firearms. Hundreds more die from accidental discharge. It is likely that many more children sustain serious wounds, or inflict such wounds accidentally on others. In order to limit the chance of such misuse, it is imperative that you keep this weapon locked in a secure place and take other steps necessary to limit the possibility of theft or accident. Failure to take reasonable preventive steps may result in innocent lives being lost, and in some circumstances may result in your liability for these deaths." "It is unlawful to store or keep a firearm, rifle, shotgun or machine gun in any place unless that weapon is equipped with a tamper-resistant safety device or is stored or kept in a securely locked container!" **NEW JERSEY:** "It is a criminal offense to leave a loaded firearm within easy access of a minor." **NORTH CAROLINA:** "It is unlawful to store or leave a firearm that can be discharged in a manner that a reasonable person should know is accessible to a minor." **TEXAS:** "It is unlawful to store, transport, or abandon an unsecured firearm in a place where children are likely to be and can obtain access to the firearm." **WISCONSIN** "If you leave a loaded firearm within the reach or easy access of a child you may be fined or imprisoned or both if the child improperly discharges, possesses, or exhibits the firearm." Please check with your licensed retailer or state police for additional warnings which may be required by local law or regulation. Such regulations change constantly, and local authorities are in the best position to advise you on such legal matters



(208)-333-9901 / (866)-333-9901

2772 SOUTH VICTORY VIEW WAY

BOISE, ID 83709

TACTICALSOL.COM